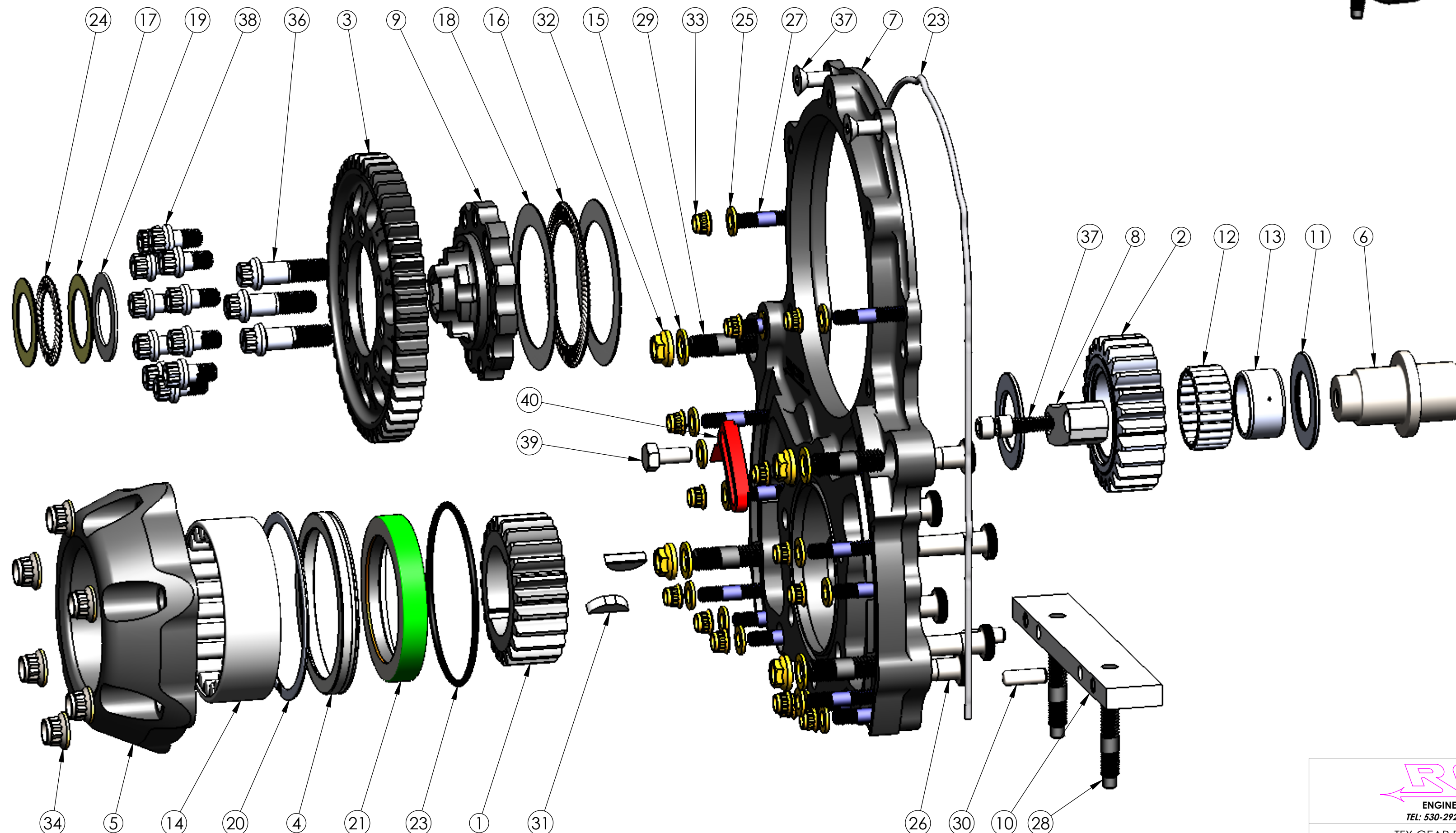
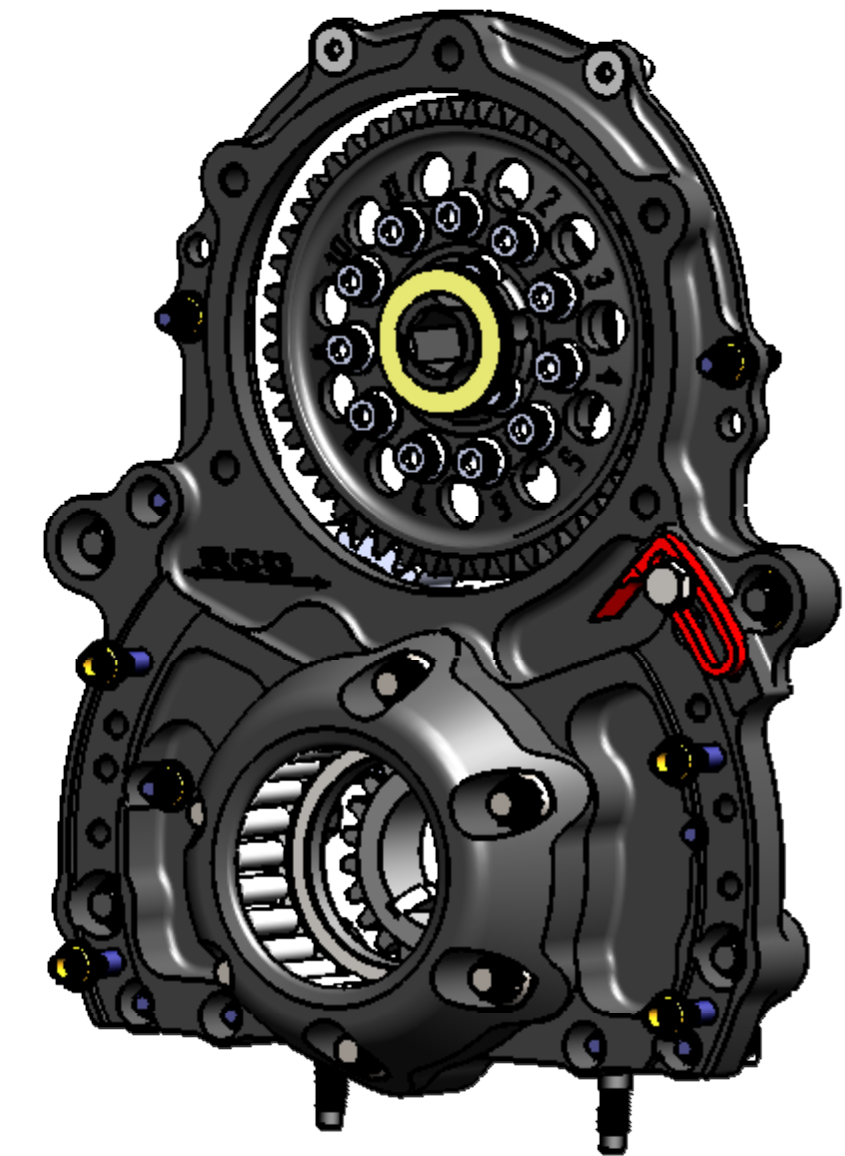


ITEM	PART NO.	DESCRIPTION	QTY.
1	250521-20	CRANK GEAR WIDE 426 392 440 CHRYSLER	1
2	250521-31	IDLER GEAR STANDARD WIDE 25 TOOTH 10 DP	1
3	250521-60	CAM GEAR 48 TOOTH 10 DP 11 HOLE VERNIER	1
4	250540-10	SEAL HOUSING ALL BEARING SUPPORT GEAR DRIVES	1
5	250540-51	BEARING HOUSING FOR TFX AND 426 TALL FRONT COVER	1
6	253506-08	IDLER GEAR AXLE TFX	1
7	253516-55	GEAR DRIVE COVER TFX W-CRANK SUPPORT AND TRIGGER SLOTS	1
8	253516-95	BUMP PAD TFX	1
9	253526-02	CAM HUB 11 HOLE 426 440 CHRYSLER AND TFX	1
10	253531-01	PAN RAIL TFX	1
11	350501-02	BRG SIDE PLATE 0.99 ID 1.69 OD	2
12	350540-40	30 X 37 X 16 ROLLER BRG CAGE	1
13	350541-40	ROLLER BRG INNER RACE	1
14	350560-38	63 X 80 X 25 ROLLER BRG MACHINED W-SEALS NO INNER RACE	1
15	352503-06	3/8 AN WASHER	4
16	350590-60	2.125 x2.875 x 0.078 NEEDLE THRUST BRG	1
17	350592-36	TRA-1625 THRUST WASHER	2
18	350592-60	TRA-3446 thrust washer	2
19	350597-0002	1.00 X 1.562 THRUST SHIM KIT	1
20	351021-314	3.149 HOUSING X 0.061 INT MED RETAIN RING	1
21	351515-53	2.125 X 2.875 X 0.438 SEAL VITON 1 LIP	1

ITEM	PART NO.	DESCRIPTION	QTY.
23	351553-51	151 "O" RING .103 x 3.00	1
23	351569-15	103 "O" RING ROPE	1
24	350590-36	1.00 x 1.562 x 0.078 NEEDLE THRUST BRG	1
25	352503-04	1/4 AN WASHER	15
26	353001-50	STUD BRG GEAR DRIVE COVER	6
27	353010-20	0.25 X 1.25 STUD 0.5 FINE, 0.5 COARSE	14
28	353014-18	0.312 X 1.125 OILPAN STUD	2
29	353016-20	0.375 X 1.25 STUD	4
30	353513-12	0.25 x 0.75 DOWEL PIN	2
31	354510-12	CRANK GEAR WOODRUFF KEY CUT DOWN .188 WIDE	2
32	355437-10	3/8-24 NUT HEX FLANGED LOCK	4
33	355925-10	1/4-28 12 PT NUT	14
34	355937-10	3/8-24 12PT NUT ***	6
37	357125-12	FHCS 1/4-20 X .75 TORX	2
36	357337-19	38-24 X 1.2 12PT CAM BOLT	3
37	357425-12	1/4-20 X 0.75 SHCS	2
38	357931-08	0.312-24 x 0.55 12pt CAM GEAR BOLT	11
39	357725-10	HCB 1/4-20 x .625	1
40	202022-20	POINTER RCD FRONT COVER ADJUSTABLE 14 DEG	1




RCD
 ENGINEERING INCORPORATED
 TEL: 530-292-3133 - FAX: 530-292-3738
 TFX GEAR DRIVE-BRG SPT NITRO